

ARCHITECT:

PROJECT:

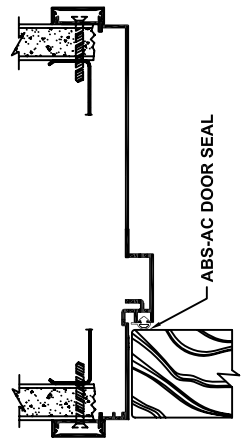
DISTRIBUTOR\_

DATE:

SHEET:

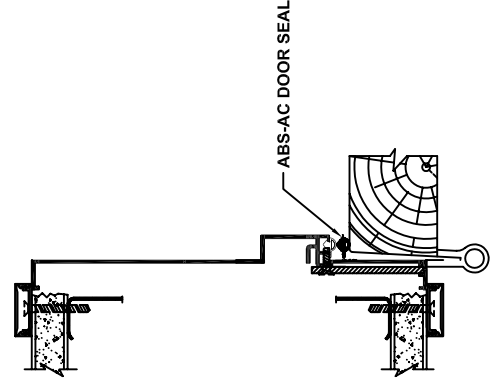
7-1/4" WALL - 1" TRIM

**DOORMERICA**  
 ABS - Architectural Components  
 8401 Roviana Cir. Sacramento CA, 95828  
 Toll Free Number: (866) 566-2161  
 Phone Main: (916) 388-2161  
 Fax: (916) 388-9336



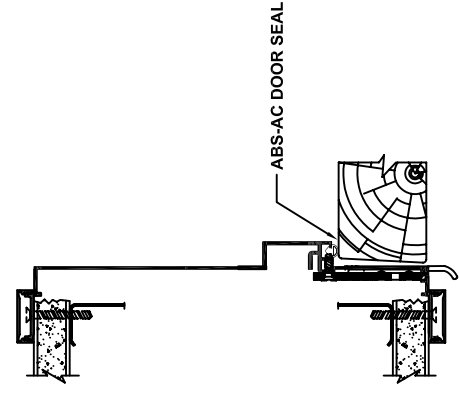
**A**

DOOR FRAME HEADER



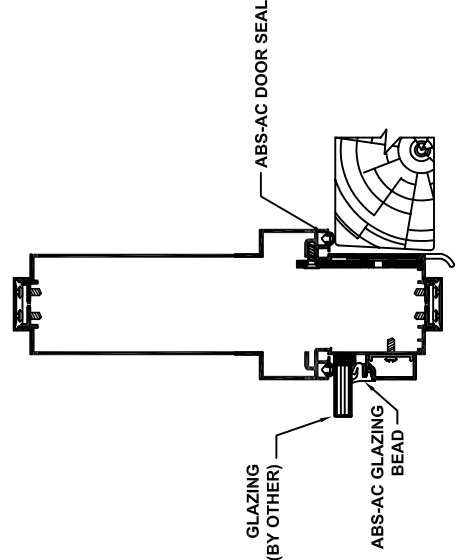
**B**

DOOR FRAME HINGE JAMB



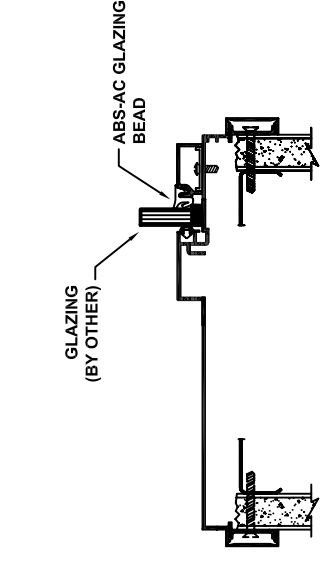
**C**

DOOR FRAME AT STRIKE JAMB



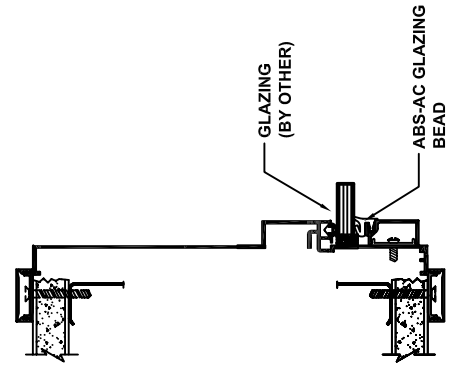
**D**

STRIKE JAMB & S.L. MULLION W/ 2" FACE



**E**

SILL BASE ON DRYWALL PARTITION



**F**

GLAZING RAIL

ARCHITECT:

PROJECT:

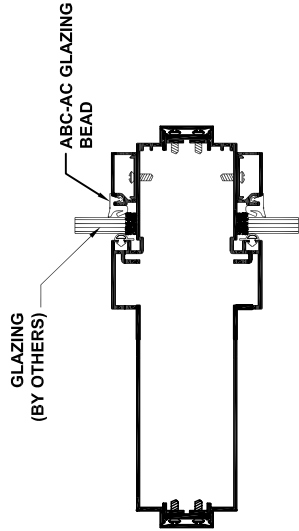
DISTRIBUTOR:

DATE:

SHEET:

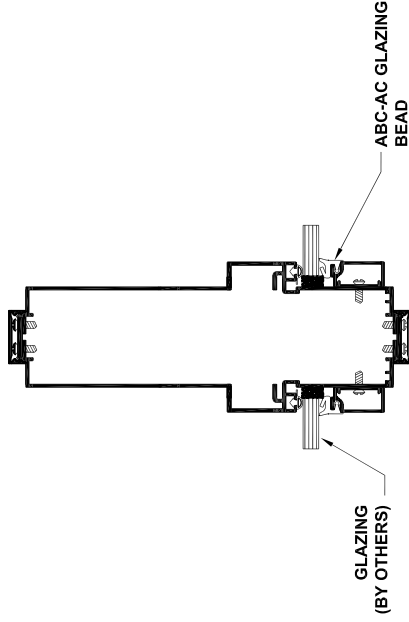
7-1/4" WALL - 1" TRIM

**DOORMERICA**  
 ABS - Architectural Components  
 8401 Rovana Cir. Sacramento CA. 95828  
 Toll Free Number: (866) 566-2161  
 Phone Main: (916) 388-2161  
 Fax: (916) 388-9336



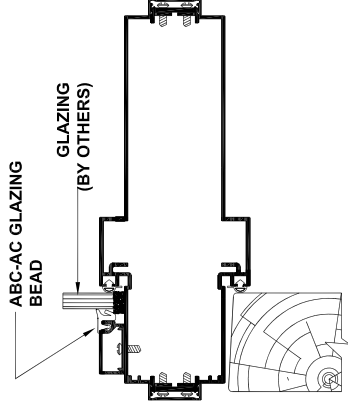
**G**

HORIZONTAL MULLION W/ 2" FACE  
( 2" TRIM )



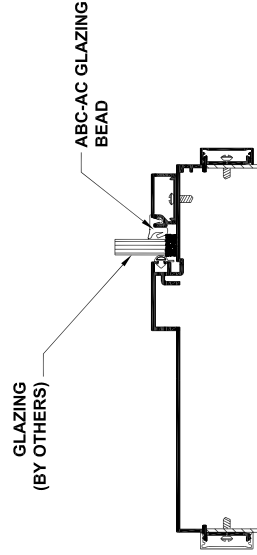
**H**

VERTICAL MULLION W/ 2" FACE  
( 2" TRIM )



**I**

TRANSOM HEADER W/ 2" FACE  
( 2" TRIM )



**J**

SILL BASE WITH RETAINER